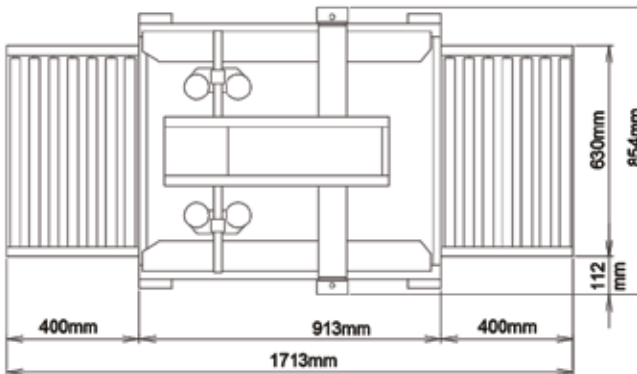


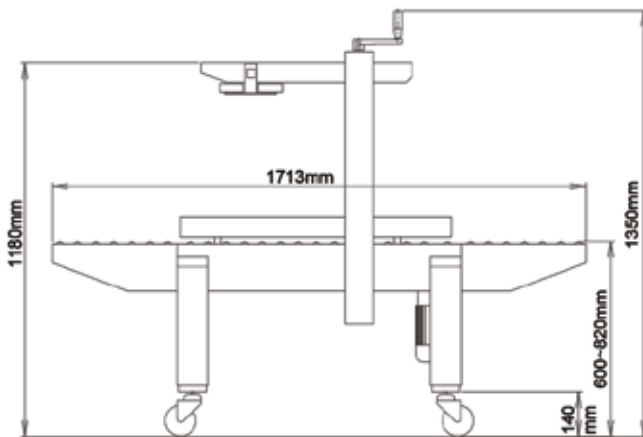
# Carton Sealing Machine: Semi-Automatic Technical Data Sheet

 **DIAGRAM**

 **WITH SIDE BELT GUIDE**



Tape	2", 3"
Speed	23 meters / minute
Capacity	Length: 120mm-unlimited Width: 100mm-500mm Height: 120mm-500mm
Power supply	110 V 1-Phase
Consumption	450 W



**IMPORTANT NOTICE:** The technical properties outlined are typical values and are not considered as specifications. Our terms and conditions of sale apply exclusively to orders and are excluding any liability for damages and injury of any kind, including consequential damages exceeding the purchase price. These properties are based on tests or conventional standards, PSTC, ASTM, NOM, Navitek's Technologies. It's important that the purchaser make its own test to determine the suitability of the product is to be use, no one is authorized by us to make guarantees orally. We reserve the right to makechanges without notice or obligation in our products and publications.

## Warranties and Limited Remedies:

Navilux, S.A. de C.V. warrants that each Navitek product meets the applicable Navitek specifications at the time Seller ships the product.

Individual products may have additional or different warranties, as stated on Navitek product packaging, package inserts, price pages or literature. Unless stated otherwise, if any product does not meet the applicable Navitek specification at the time of shipment, Navilux, S.A. de C.V.'s entire liability and purchaser's exclusive remedy will be replacement of Navitek product.

**THE WARRANTY STATED ABOVE IS MADE IN LIEU OF ALL OTHER WARRANTIES, EXPRESS OR IMPLIED, INCLUDING BUT NOT LIMITED TO THE IMPLIED WARRANTY OF MERCHANTABILITY, THE IMPLIED WARRANTY OF FITNESS FOR A PARTICULAR PURPOSE, ANY IMPLIED WARRANTY ARISING OUT OF A COURSE OF DEALING OR OF PERFORMANCE, CUSTOM OR USAGE OF TRADE.**

Notice of defect must be received by Navilux, S.A. de C.V. within 180 days after the goods arrive at the designated place. Navilux, S.A. de C.V. has no obligations under this warranty with respect to products that have been modified through misuse, abuse, accident, neglect or mishandling by user or others.

### Limitation of Liability:

Except where prohibited by law, Navilux, S.A. de C.V. will not be liable for any loss or damage arising from any Navitek product, whether direct, indirect, special, incidental or consequential, regardless of the legal theory asserted, including warranty, contract, negligence or strict liability. User is solely responsible for determining whether a Navitek product is fit for a particular purpose and suitable for user's method of application.